

## PARTS LIST & EXPLODED DRAWING (QP-402SX)

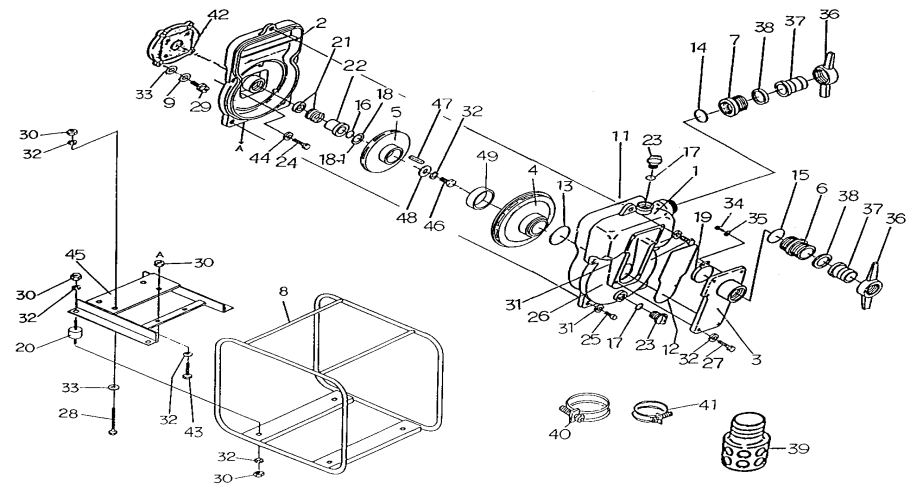
No.	PARTS NO.	PARTS NAME	Q'TY	MATERIAL
	GX390	ENGINE		
1	9430-100010	CASING	1	ADC
2	4421-100020	CASING COVER	1	ADC
3	9430-100160	SUCTION COVER	1	ADC
4	1461-000130	VOLUTE CASING	1	FC
5	1461-060030	IMPELLER	1	AC
6	079000-4040-0011	NIPPLE	1	FC
7	079890-4040-0011	SOCKET	1	FC
8	4420-214010-0004	BASE	1	SS400
9	045125-0100	SPRING WASHER	4	SWRH
11	048935-3850	O-RING	1	NBR
12	048935-2400	O-RING	1	NBR
13	048131-0950	O-RING	1	NBR
14	048131-1000	O-RING	1	NBR
15	048131-1100	O-RING	1	NBR
16	048220-0240	O-RING	1	NBR
17	048035-0300	O-RING(FLOODING/DRAIN CAP)	2	NBR
18	085283-4525	ADJUST LINER	1	BSP
18-1	085285-4525	ADJUST LINER	1	BSP
19	9430-350350	CHECK VALVE	1	NBR+SS400
20	072330-2040	CUSHION RUBBER	4	NBR+SS400
21	080611-3630	MECHANICAL SEAL	1	CERAMIC x CARBON
22	081188-3051	MECHANICAL SEAL SLEEVE	1	SUS
23	063121-1100	FLOODING/DRAIN CAP	2	ABS
24	010505-0820	BOLT	4	SS400
25	010505-1240	BOLT	4	SS400
26	010505-1250	BOLT	1	SS400
27	010505-1040	BOLT	6	SS400
28	010505-1050	BOLT	4	SS400
29	019116-0625	BOLT	4	SS400
30	020545-0100	NUT	14	SS400
31	045125-0120	SPRING WASHER	5	SWRH
32	045125-0100	SPRING WASHER	21	SWRH
33	040145-0100	WASHER	8	SS400
34	014109-0616	SCREW	2	SUS
35	040145-0060	WASHER	2	SS400
36	074117-1100	HOSE COUPLING	2	ADC
37	074124-1100	HOSE JOINT	2	ADC
38	074132-1001	HOSE COUPLING PACKING	2	NBR
39	074221-2100	STRAINER	1	SS400

No.	PARTS NO.	PARTS NAME	Q'TY	MATERIAL
40	093225-4000	WIRE HOSE BAND	2	SWRM
41	093225-0110	WIRE HOSE BAND	1	SWRM
42	4313-000600-0014	CASING COVER SET PLATE	1	FC
43	010505-1050	BOLT	2	SS400
44	045822-0080	SEAL WASHER	4	SUS+NBR
45	4420-214020-0004	ENGINE BASE	1	SS400
46	019115-0625	BOLT	1	SS400
47	052004-0422	KEY	1	S45C
48	4334-201240-0011	IMPELLER WASHER	1	SS400
49	1445-081220	LINER RING	1	BC

### Pump Specification

402-ED/EH42

MAX. HEAD	70 m
MAX. CAP.	1050 L/min.
Installed Power	8.7 kW
Dimensions【LxWxH】	73x51x62 cm
Dry Weight	70kg



### Tightening torques for screw size

Screw size	M5	M6	M8	M10	M12	5/16"	3/8"	7/16"
Recommendable torque [N·m]	5	6~7	16~20	28~33	45~56	16~20	28~33	40