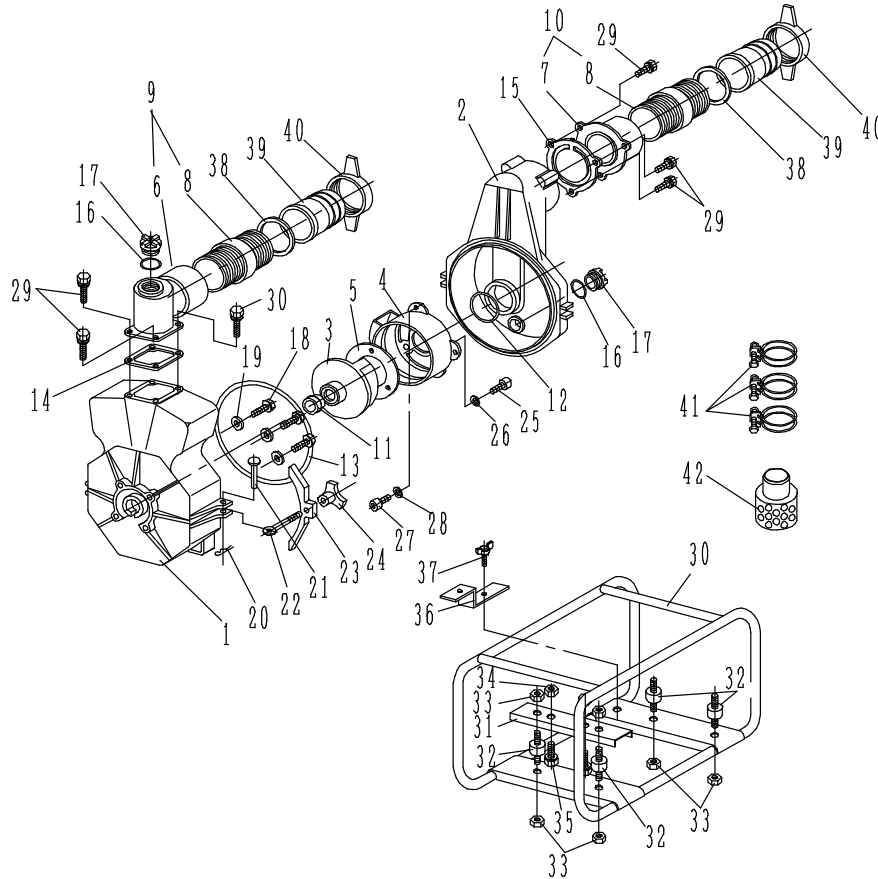
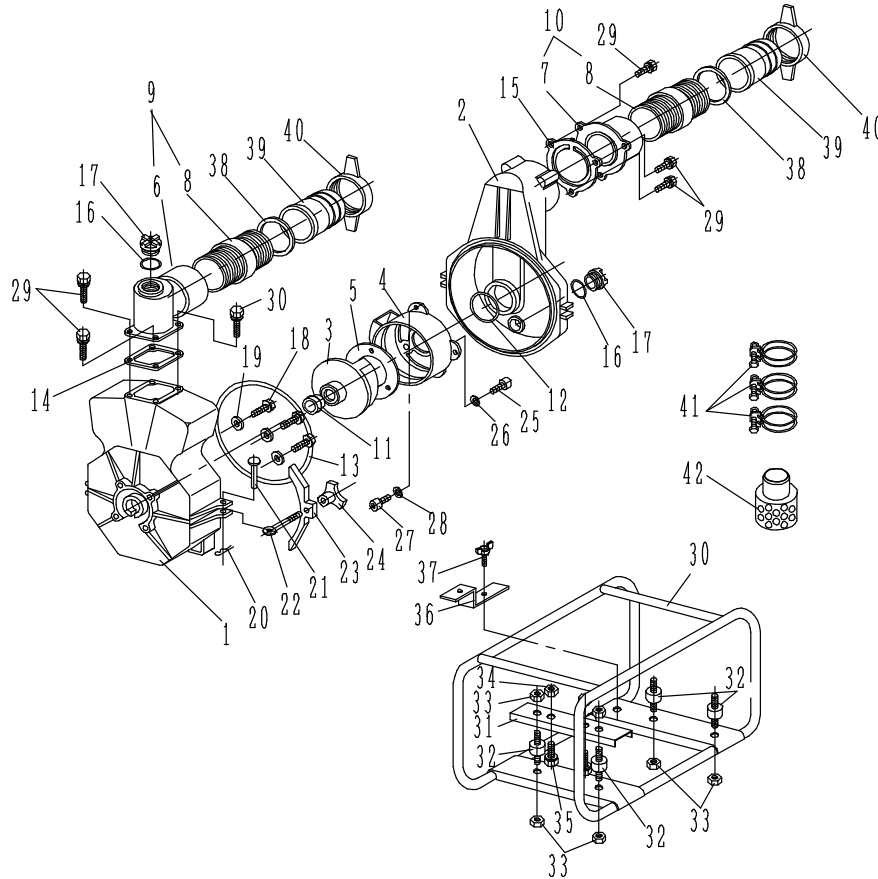


SWT-80HX/80RX



| REF No. | Parts No. | Parts name | Q'ty | Price | Remarks |
|---------|-------------|---------------------|------|-------|--------------|
| | ENGINE | HONDA GX240 | 1 | - | |
| | | ROBIN EX27 | (1) | - | |
| 1 | 200 200 300 | CASING | 1 | | SWT80 |
| 2 | 200 200 310 | CASING COVER | 1 | | SWT80 |
| 3 | 200 210 170 | IMPELLER | 1 | | |
| 4 | 200 210 040 | INNER CASING | 1 | | |
| 5 | 200 300 220 | LINER | 1 | | |
| 6 | 200 200 440 | BEND (NPSM) | 1 | | IN-LOW-NPSM3 |
| 7 | 200 200 601 | VALVE CASE (NPSM) | 1 | | IN-NPSM3 |
| 8 | 200 300 420 | FITTING PIPE | 2 | | 3B NPT-PF |
| | 200 300 421 | FITTING PIPE | (2) | | 3B NPT-NPT |
| 9 | 202 200 130 | BEND ASSY | (1) | | PF3 |
| | 202 200 131 | BEND ASSY | (1) | | NPT3 |
| 10 | 202 200 100 | VALVE CASE ASSY | (1) | | PF3 |
| | 202 200 101 | VALVE CASE ASSY | (1) | | NPT3 |
| 11 | 201 100 061 | MECHANICAL SEAL | 1 | | SIC |
| 12 | 200 800 110 | O-RING | 1 | | G-80 |
| 13 | 200 800 060 | O-RING | 1 | | G-240 |
| 14 | 200 900 190 | PACKING,BEND | 1 | | |
| 15 | 200 900 290 | CHECK VALVE | 1 | | |
| 16 | 200 800 220 | O-RING | 2 | | W1516-31 |
| 17 | 200 200 700 | PLUG | 2 | | AL |
| 18 | 203 000 460 | FLANGE BOLT | 4 | | M8x46 |
| 19 | 203 100 180 | AL WASHER | 4 | | 8.2-17-3.0 |
| 20 | 203 300 040 | SNAP PIN | 2 | | φ12 |
| 21 | 203 300 020 | RIVET | 2 | | φ12 |
| 22 | 203 000 500 | COVER BOLT | 2 | | M16 |
| 23 | 200 210 420 | CASING COVER HOLDER | 2 | | |

SWT-80HX/80RX



| REF No. | Parts No. | Parts name | Q'ty | Price | Remarks |
|---------|-------------|-----------------------|------|-------|--------------|
| 24 | 200 210 440 | KNOB | 2 | | M16 |
| 25 | 203 000 360 | HEX.SOCKET HEAD BOLT | 3 | | M6x20SUS |
| 26 | 203 100 110 | SPRING WASHER | 3 | | M6SUS |
| 27 | 203 000 370 | HEX.SOCKET HEAD BOLT | 3 | | M8x30SUS |
| 28 | 203 100 130 | SPRING WASHER | 3 | | M8SUS |
| 29 | 203 000 081 | HEX.BOLT | 7 | | M10x30(17) |
| 30 | 200 100 070 | FRAME(BLACK) | 1 | | |
| | 200 100 071 | FRAME(WHITE) | (1) | | |
| 31 | 200 100 370 | BASE,ENGINE(BLACK) | 1 | | |
| | 200 100 371 | BASE,ENGINE(WHITE) | (1) | | |
| 32 | 200 900 360 | ANTI VIBRATION RUBBER | 4 | | |
| 33 | 203 200 030 | FRANGE NUT | 6 | | M8 |
| 34 | 203 200 020 | FRANGE NUT | 2 | | M10 |
| 35 | 203 000 140 | HEX.BOLT | 2 | | M10 × 45 P=2 |
| 36 | 200 300 240 | MULTI-PURPOSE TOOL | 1 | | |
| 37 | 203 000 510 | WING BOLT | 1 | | M6x15 |
| 38 | 200 900 060 | PACKING,COUPLING | 2 | | NBR |
| 39 | 200 200 680 | HOSE COUPLING | 2 | | AL |
| 40 | 200 200 250 | HOSE COUPLING HANDLE | 2 | | PF3 |
| | 200 200 710 | HOSE COUPLING HANDLE | (2) | | NPSH3 |
| 41 | 201 000 060 | HOSE BAND | 3 | | 3" |
| 42 | 201 200 190 | STRAINER | 1 | | 3"ER |
| | | | | | |
| | | | | | |
| | | | | | |
| | | | | | |
| | | | | | |